

MULTIFUNCTION DEVICE



OVERVIEW

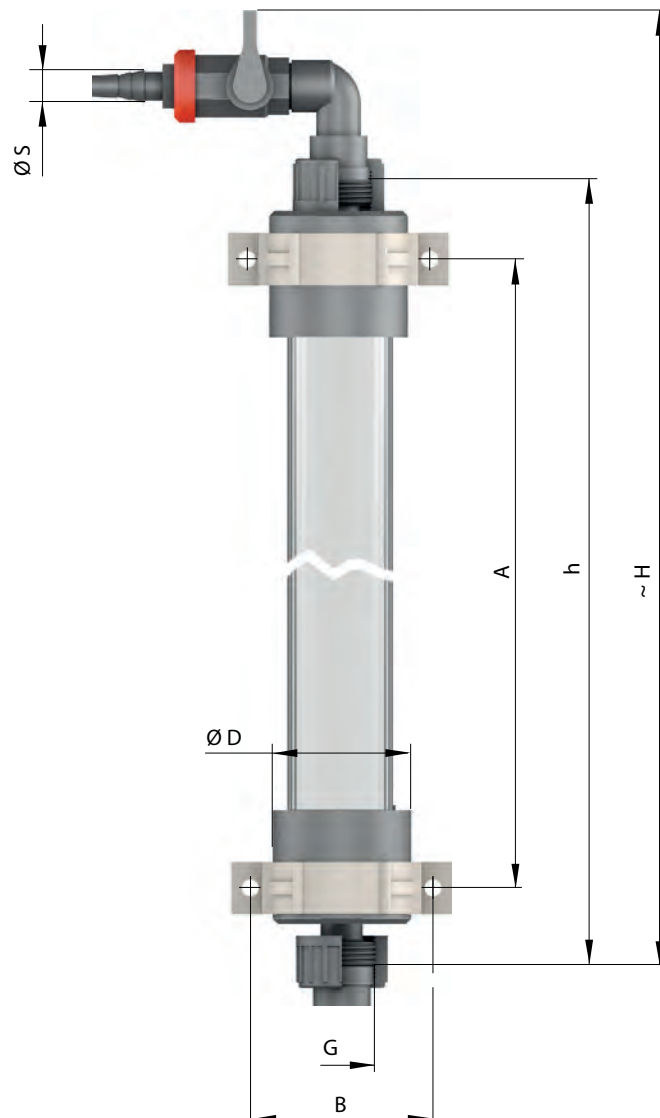
Can be used as an priming aid and/or an calibration pot
 Compact Design
 Easy installation
 Flexible connection
 Maintenance free
 High quality materials

incl. glue joint (PVC-U)
 and welding joint (PP)

TECHNICAL DATA

		MFD-60	MFD-570	MFD-1500
Nominal width	DN	8	15	20
Content	Litre	0,5	2,0	5,0
Max. permissible operating pressure	bar	-0,5...+2	-0,5...+2	-0,5...+2

DIMENSIONS



DIMENSIONS

	MFD-60	MFD-570	MFD-1500
G	G ³ / ₄	G1	G1 ¹ / ₄
D	53	120	180
h	637	557	562
H	707	635	637
A	574	442	458
B	70	167	228
S	8-13	8-13	8-13

(Dimensions in mm)

BASIC DESIGNS



Multi-function device

Properties

- Can be used as an priming aid and/or an calibration pot
- Compact design
- Flexible Connection
- Maintenance-free
- incl. glue joint (PVC-U) and welding joint (PP)

Basic version

- Housing: **PVC-U / PVC-transparent**
- Seals: **FPM or EPDM**
- max. operating pressure: **-0,5 ... +2 bar**

Type	DN	Connetion	Volume	Seals	Article-No.	Price (EUR)
MFD 60	8	G ³ / ₄	0,5 Ltr.	EPDM	37606311	▲
MFD 60	8	G ³ / ₄	0,5 Ltr.	FPM	37605864	▲
MFD 570	15	G1	2 Ltr.	EPDM	37606278	▲
MFD 570	15	G1	2 Ltr.	FPM	37605992	▲
MFD 1500	20	G1 ¹ / ₄	5 Ltr.	EPDM	37606316	▲
MFD 1500	20	G1 ¹ / ₄	5 Ltr.	FPM	37606315	▲

ACCESSORIES

Hand vacuum pump	PVC/FPM	37605682	▲
	(incl. 1,5m PVC-Hose d=12/21)		



FOLLOW US



sera ProDos GmbH
sera-Str. 1
34376 Immenhausen
Deutschland

Tel. +49 5673 999 02
Fax +49 5673 999 03
Email info-prodos@sera-web.com

www.sera-web.com

www.sera-web.com